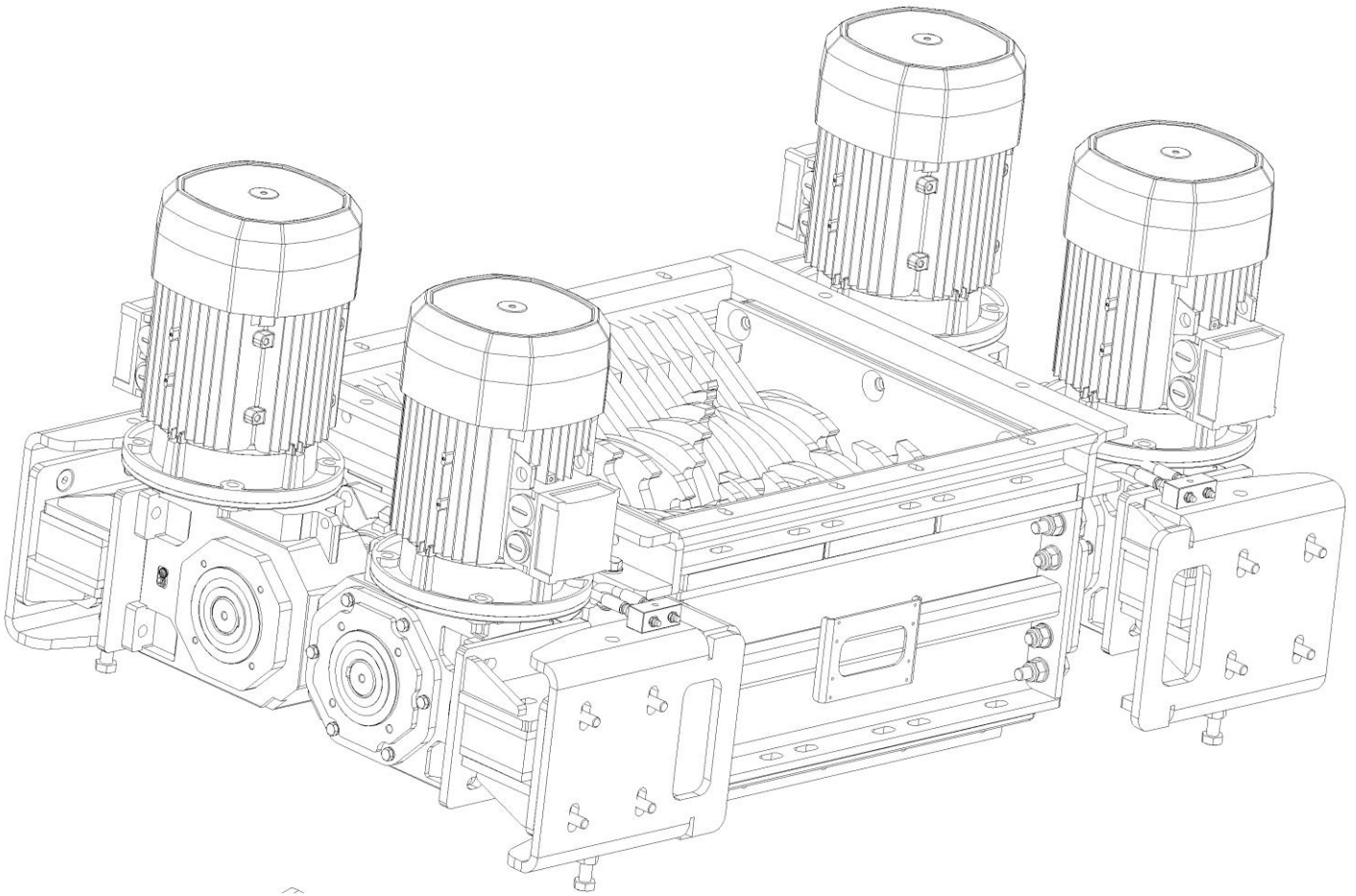


Technical Specification FTR 600



ADVANTAGES

Low air pollution

Low noise pollution

No vibrations

Low wear costs and maintenance

Punch Plate screen for size control output material.

Manual setting adjustment

All specifications subject to change without prior notice



CAMS s.r.l.
VIA Giulio Golini, 301 40024- Castel San Pietro Terme (BO)- Tel. 0516946611
Cod. Fisc. e Part. IVA 02146431206- R.E.A. n° 416377- Cap. Soc. 93.000 euro Int. Vers.

Shredder FTR

Type:	600
Feed opening:	mm 600x500
Max feed size:	mm 250x150x100
Shafts interaxle spacing:	mm 215÷230
Shafts diameter:	mm 270
Shafts speed:	rpm 40
Number of knives:	N° 30 (15+15)
Thickness knives:	mm 15
Teeth height:	mm 30
Max capacity:	t/h 30
Power:	kW 16 (4x4)
Trasmission:	Electrical motors
Weight:	Kg 850
Punch plate screen:	Optional
Dimension of transport:	mm 1.300x900x650

The frame is made of a strong welded and ribbed steel sheet of heavy thickness in according to the maximum stress.

The shafts counter-twist are in high-strength special steel lines and are driven each by an oil bath gear motor with high torque.

The shafts are supported with roller bearings, lubricated with grease chamber.

The four electric motors are three-phase, squirrel cage and fan closed.

The knives are make with steel a 43 HRC highly wear-resistant material.

Two series of Knife cleaners shall maintain free the drums to the eventual drag material.

The top of the frame is removable to allow complete access to the machine.

MECHANICAL AND ELETRICAL COMPONENTS

In accordance with CE normative

PAINTING

The machine is finish painted Blu RAL 5017.

DOCUMENTATION

User and maintenance manual.

CE declaration

All specifications subject to change without prior notice

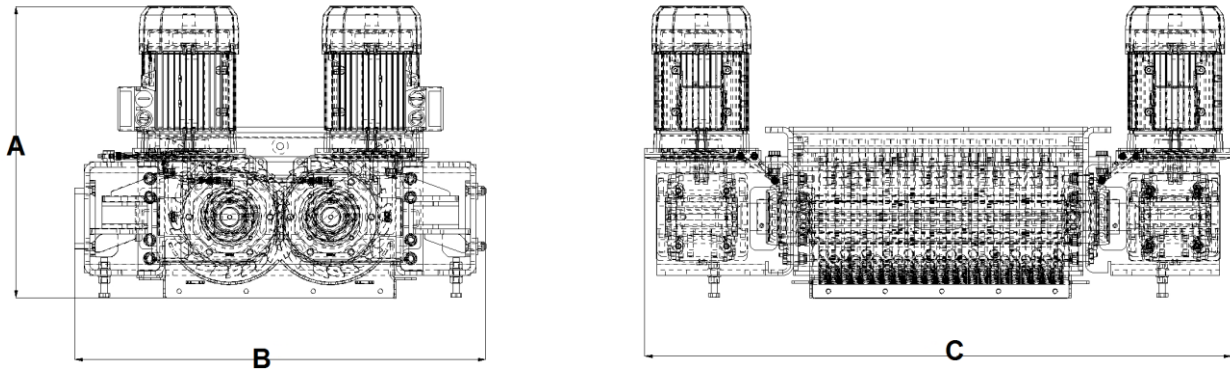


CAMS s.r.l.

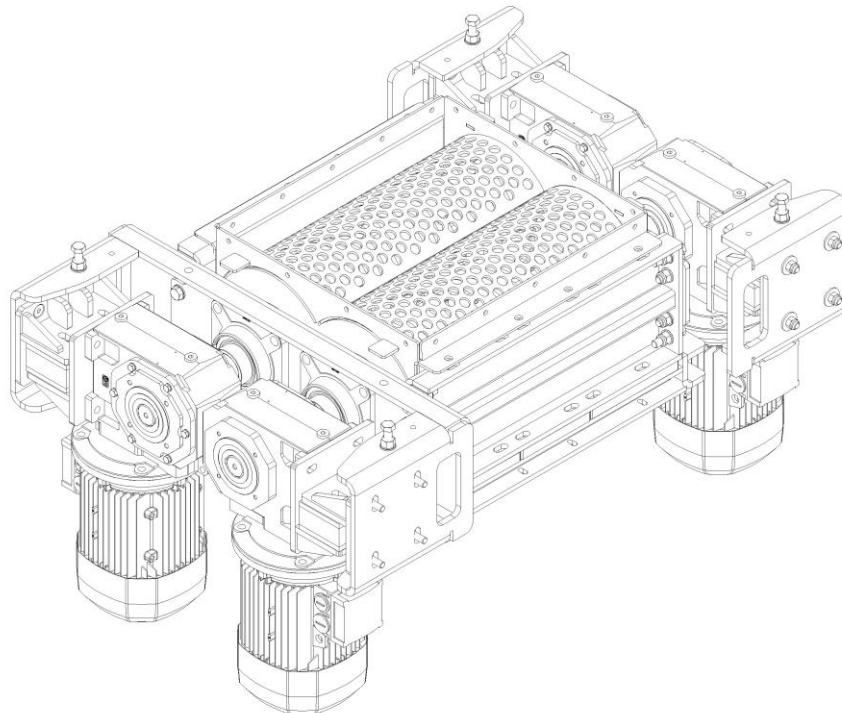
**VIA Giulio Golini, 301 40024- Castel San Pietro Terme (BO)- Tel. 0516946611
Cod. Fisc. e Part. IVA 02146431206- R.E.A. n° 416377- Cap. Soc. 93.000 euro Int. Vers.**

DIMENSION

FTR	A	B	C
600	650	900	1300



PUNCH PLATE SCREEN



All specifications subject to change without prior notice



CAMS s.r.l.
VIA Giulio Golini, 301 40024- Castel San Pietro Terme (BO)- Tel. 0516946611
Cod. Fisc. e Part. IVA 02146431206- R.E.A. n° 416377- Cap. Soc. 93.000 euro Int. Vers.