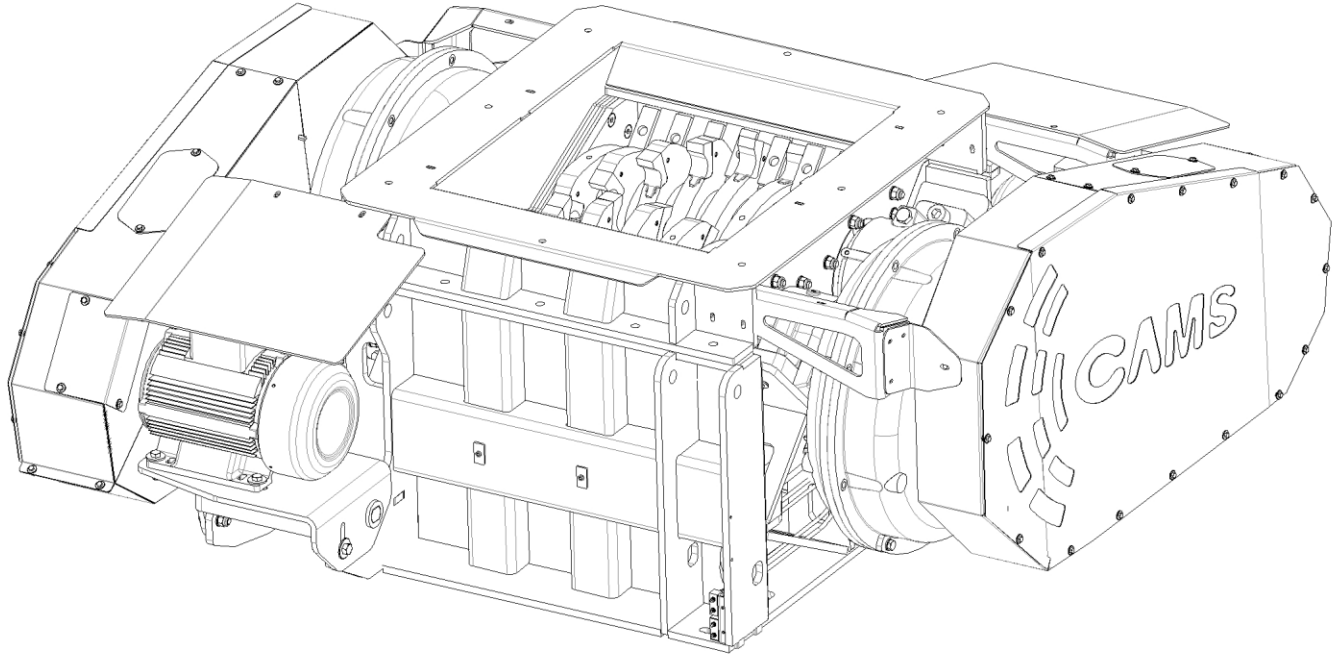


Technical Specification FTR 750



ADVANTAGES

High capacity up to 80 t/h

Low air pollution

Low noise pollution

No vibrations

Low wear costs and maintenance

Changing all the cutting tools on the shafts only takes a few hours.

Hydraulic setting adjustment

All specifications subject to change without prior notice.



CAMS s.r.l.

**VIA Giulio Golini, 301 40024- Castel San Pietro Terme (BO)- Tel. 0516946611
Cod. Fisc. e Part. IVA 02146431206- R.E.A. n° 416377- Cap. Soc. 93.000 euro Int. Vers.**

Shredder

- | | |
|-----------------------|---------------|
| • Type of Shredder | FTR 750 |
| • Feed opening | mm 750x900 |
| • Drum distance | mm 450 |
| • Number of Knife | N° 14 |
| • Teeth hight | mm 100 |
| • Electric motor | kW 22 (11+11) |
| • Rotors speed | rpm 10 |
| • Max Capacity | t/h 80 |
| • Weight | Kg 5.500 |
| • V belts and pulleys | |
| • Chuteworks | |

The frame is made of a strong welded and ribbed steel sheet of heavy thickness in accordance to the maximum stress.

The drums counter-twist are in high-strength special steel lines and are driven each by an oil bath gear motor with high torque.

The drums are supported with roller bearings, lubricated with grease chamber.

The two electric motors are three-phase, squirrel cage and fan closed.

The knives are made with steel a 43 HRC highly wear-resistant material.

Two series of Knife cleaners shall maintain free the drums to the eventual drag material.

The top of the frame is removable to allow complete access to the machine.

MECHANICAL AND ELETRICAL COMPONENTS

In accordance with CE normative

PAINTING

The machine is finish painted Blu RAL 5017.

DOCUMENTATION

User and maintenance manual.

CE declaration

All specifications subject to change without prior notice.

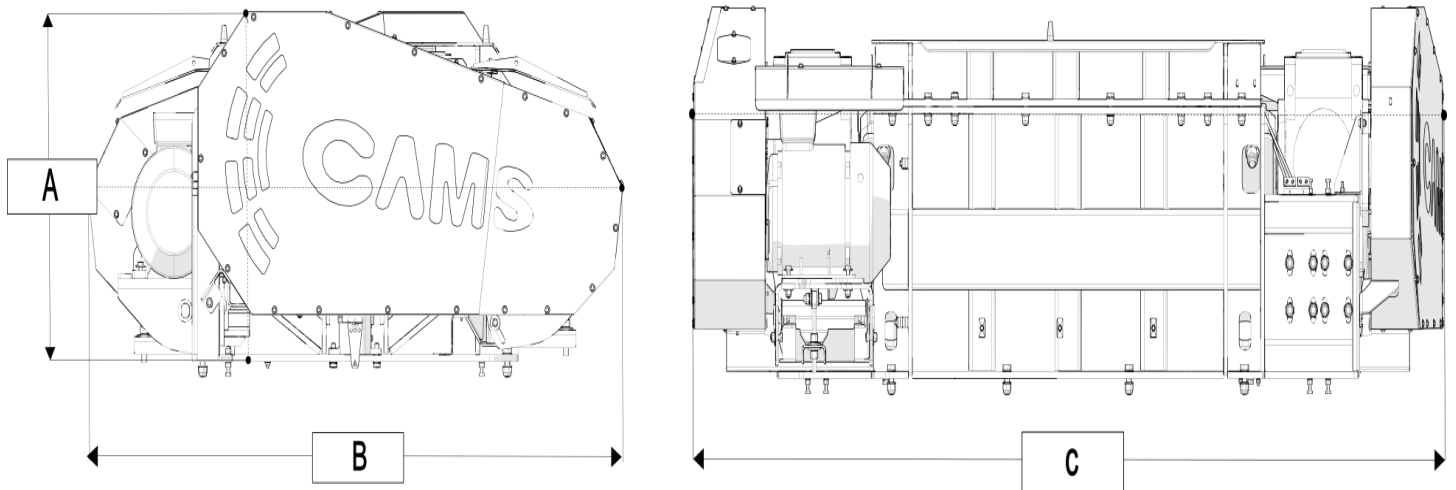


CAMS s.r.l.

**VIA Giulio Golini, 301 40024- Castel San Pietro Terme (BO)- Tel. 0516946611
Cod. Fisc. e Part. IVA 02146431206- R.E.A. n° 416377- Cap. Soc. 93.000 euro Int. Vers.**

Dimension

FTR	A	B	C
750	1050	2510	2500



Kit Hydraulic Fingers



All specifications subject to change without prior notice.



CAMS s.r.l.
VIA Giulio Golini, 301 40024- Castel San Pietro Terme (BO)- Tel. 0516946611
Cod. Fisc. e Part. IVA 02146431206- R.E.A. n° 416377- Cap. Soc. 93.000 euro Int. Vers.