



EXPERT IN RECYCLING technology made in Italy

Screening and recycling plants
on skid series UVS



www.camssrl.it

ufficio.commerciale@camssrl.it

Via Giulio Golini 301 | 40024 Castel San Pietro Terme BO | Italy

Tel +39 051 6946611 | Fax +39 051 6946650

UVS 25.1

TECHNICAL SPECIFICATION

| | |
|-----------------------------|-----------------|
| Size screen | 1000x2500 |
| Number of decks | 1 (2 selection) |
| Area (m ²) | 2,50 |
| Weight screen (kg) | 975 |
| Weight Plant (kg) | 5.050 |
| Screen inclination | 18° |
| Max hourly production (t/h) | 120 |
| Conveyors belt | 2 TN 500x8 |
| Chassis | included |
| Elettric box | included |
| Cover for belt conveyors | included |



OPTIONAL

Additional meter Conveyor belt

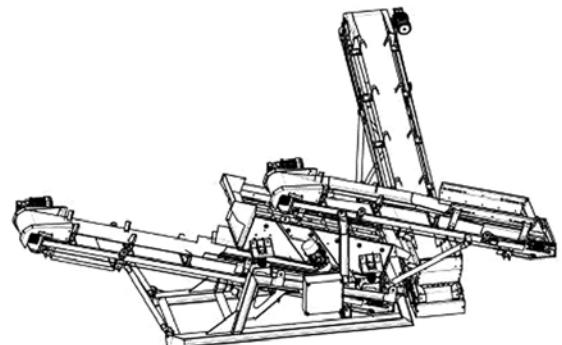
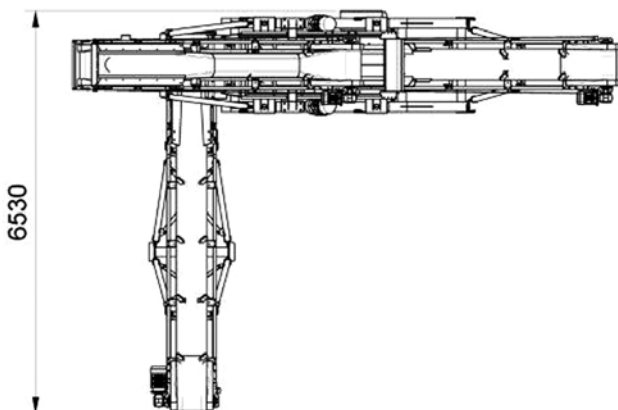
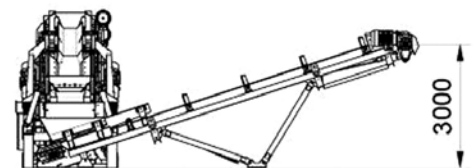
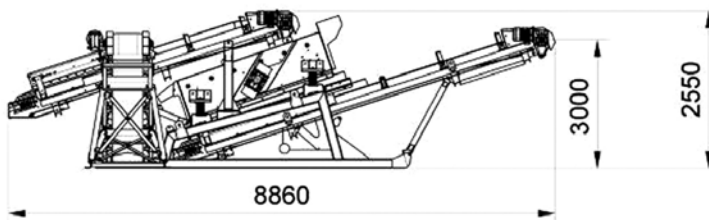
Dust suppression

Upgrade with hopper and belt loading (autonomy)

Upgrade with belt loading (for UTM/UTS 750)

Paint customized

- Coupling at UTS/UTM type 750 (30.07), type 1000 (50.10)
- Conveyors belt longer at the discretion of the customers
- Can be connect at the Electrical generator of the UTM/UTS series
- Feed hopper with vibrating feeder and belt loading for independet use



UVS 25.2

TECHNICAL SPECIFICATION

| | |
|-----------------------------|-----------------|
| Size screen | 1000x2500 |
| Number of decks | 2 (3 selection) |
| Area (m ²) | 2,50 |
| Weight screen (kg) | 1.270 |
| Weight Plant (kg) | 5.950 |
| Screen inclination | 18° |
| Max hourly production (t/h) | 160 |
| Conveyors belt | 3 TN 500x8 |
| Chassis | included |
| Elettric box | included |
| Cover for belt conveyors | included |



OPTIONAL

Additional meter Conveyor belt

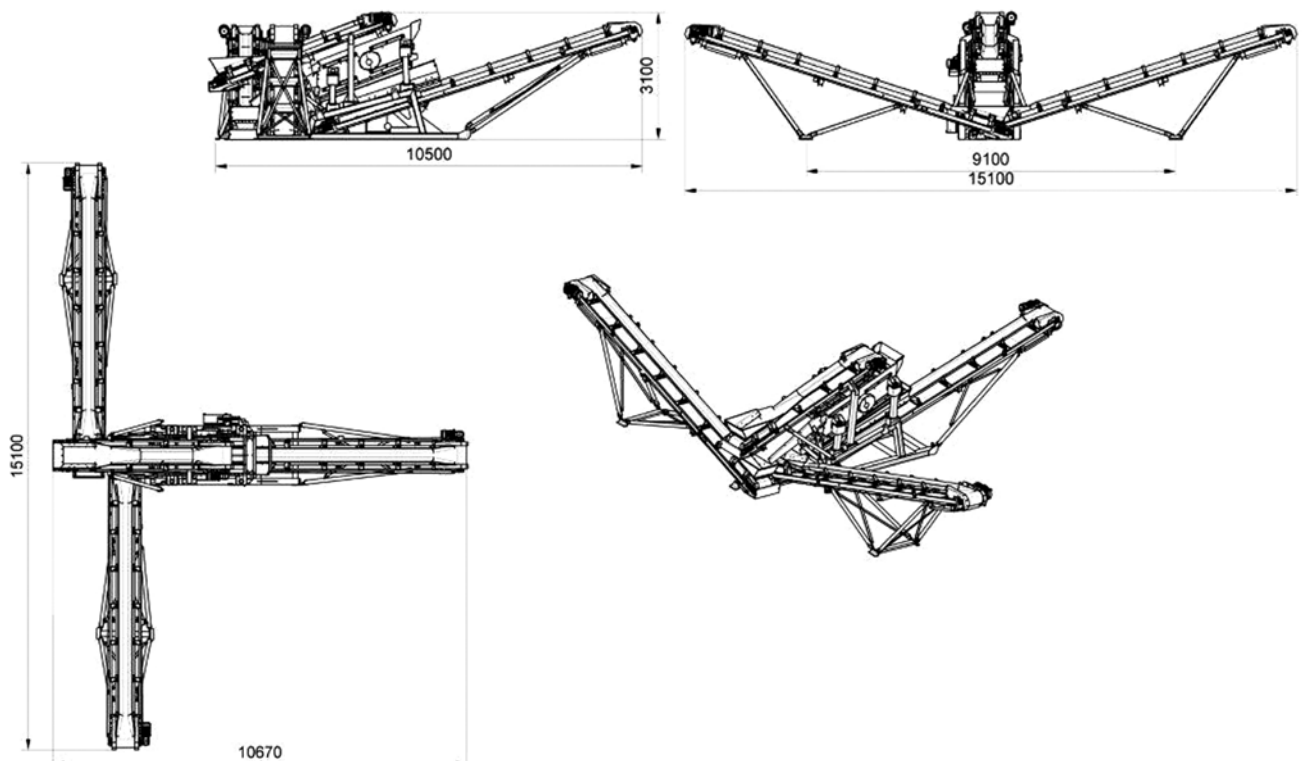
Dust suppression

Upgrade with hopper and belt loading (autonomy)

Upgrade with belt loading (for UTM/UTS 750)

Paint customized

- Coupling at UTS/UTM type 750 (30.07), type 1000 (50.10), 1200 (60.12)
- Conveyors belt longer at the discretion of the customers
- Can be connect at the Electrical generator of the UTM/UTS series
- Feed hopper with vibrating feeder and belt loading for independet use



UVS 42

TECHNICAL SPECIFICATION

| | |
|-----------------------------|------------------------|
| Size screen | 1200x3500 |
| Number of decks | 2 (3 selection) |
| Area (m ²) | 4,2 |
| Weight screen (kg) | 2.750 |
| Weight Plant (kg) | 12.360 |
| Screen inclination | 18° |
| Max hourly production (t/h) | 250 |
| Conveyor belt (Loader) | 1 TN 800x8 |
| Conveyors belt | 2 TN 500x8 + 1 TN800x8 |
| Chassis | included |
| Elettric box | included |
| Cover for belt conveyors | included |

OPTIONAL

Additional meter Conveyor belt

Dust suppression

Upgrade with hopper and vibrating feeder "UVS 42/I"

Ladder and walkways

Paint customized

- Coupling at UTS/UTM type 1200 (60.12), type 1500 (60.15)
- Conveyors belt longer at the discretion of the customers
- Can be connect at the Electrical generator of the UTM/UTS series
- Feed hopper with vibrating feeder and belt loading for independet use

