



KROKODILE
TECHNICAL SPECIFICATION

KROKODILE

Flexible, powerful, economical. Our KROKODILE gives you all the advantages of mobile shredding while being extremely compact. This all-rounder shreds even difficult materials with its robust design and powerful engine.

1. SHREDER UNIT
2. FEEDER
3. POWERUNIT
4. PRODUCT CONVEYOR
5. TRACK/ CHASSIS



SHREDDER

TECHNICAL DATA

SHREDDING UNIT

Shafts dimension
1500 Mm (60")
Shafts diameter
680Mm (27")

Rotation speed
0-.40 Rpm

Css range
60Mm to 150mm
(3-1/4" to 5-3/4")

HOPPER AREA

VOLUME
2,3m³

FOLDING PRODUCT CONVEYOR

Width 800mm
Hydraulic folding
system by 2 cylinder

POWERUNIT

Power
T3 160kw/220hp
diesel engine
T4f 160kw/220hp
diesel engine

Cylinder
N°4

Cooling
Water

CRAWLED TRACK

And skip hook system
in the same machine

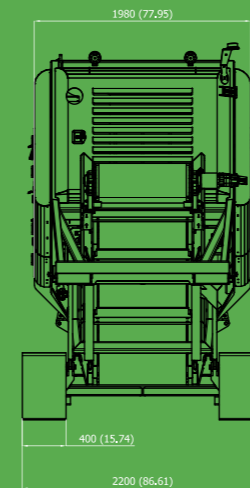
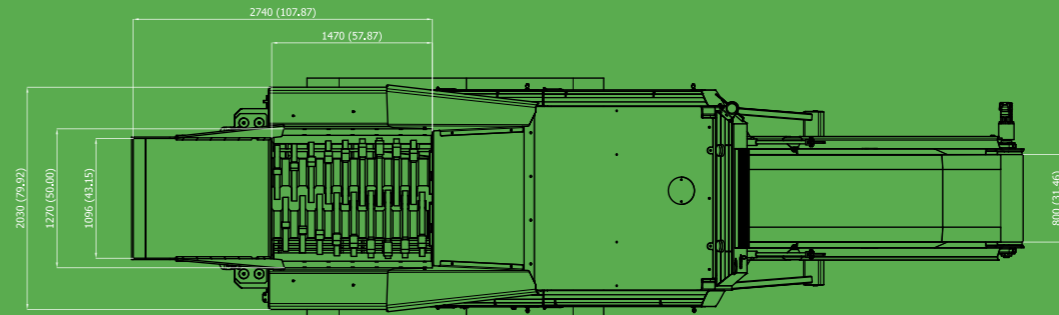
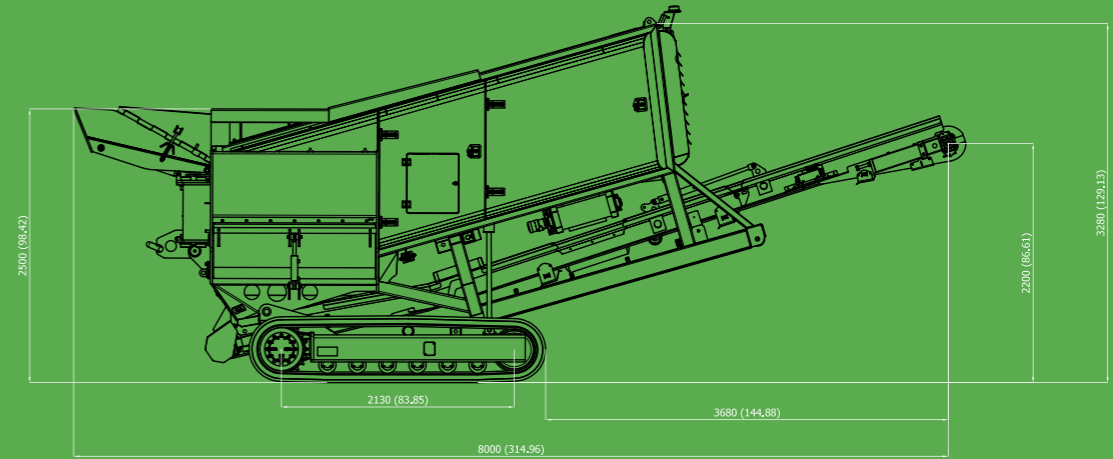
PERFORMANCE

Production
Up to 180tph /200 us
tph

Standard weight
14000kgs (29,763lbs)



TRANSPORT DIMENSION & WORKING DIMENSION



STANDARD MACHINE

- Doglead remote control
- Easy 2 use control panel
- Monitoring and remote access to machine
- Gps geolocation
- Hydraulic cylinder to open side walls
- Quick and fast shafts change system

ACCESSORIES

- Shafts for wood & plastic
- Overband magnetic
- Rear tilt hopper
- Remote control to drive undercarrige/ rear hopper
- Spraybar
- Antidustsystem



